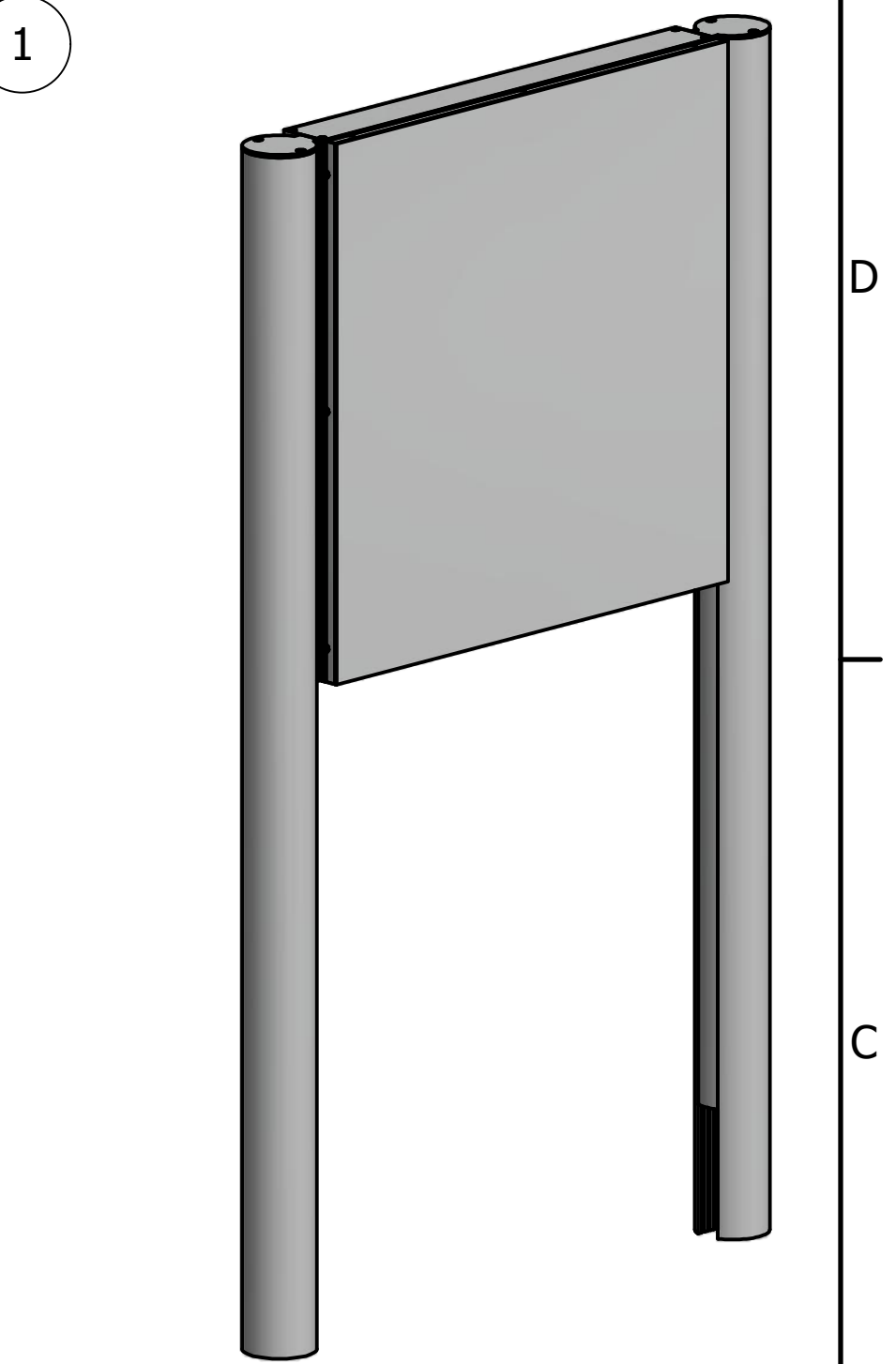
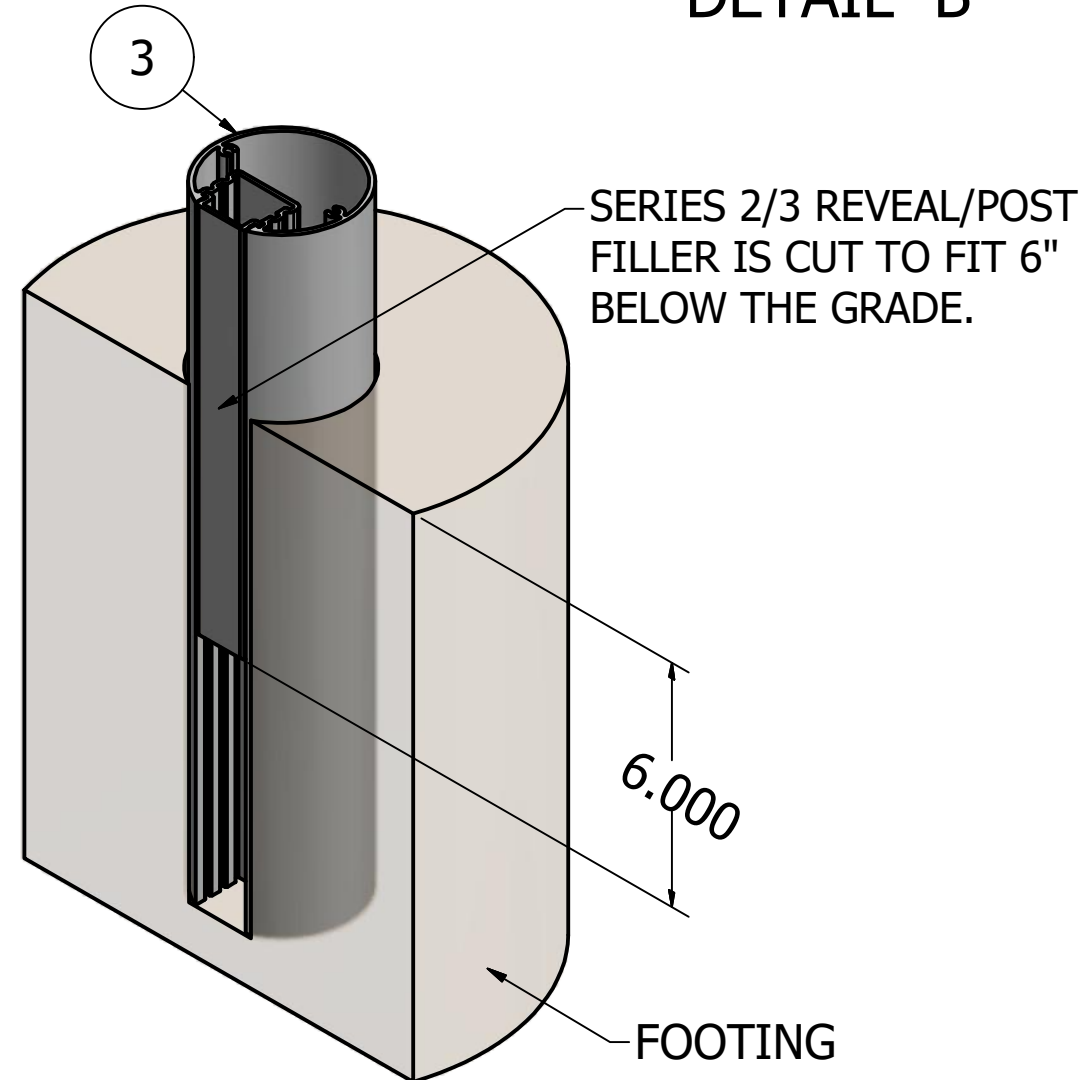
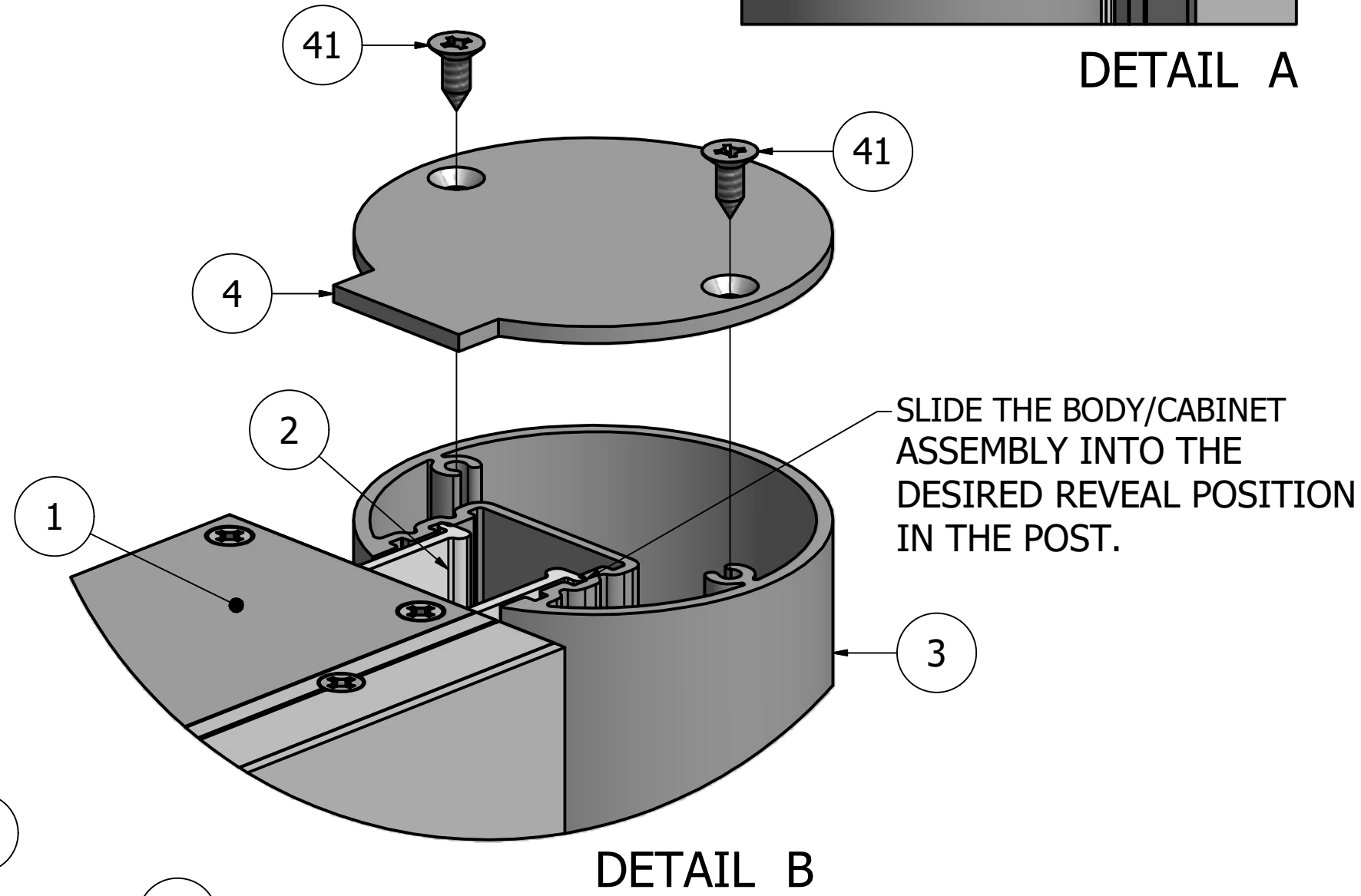
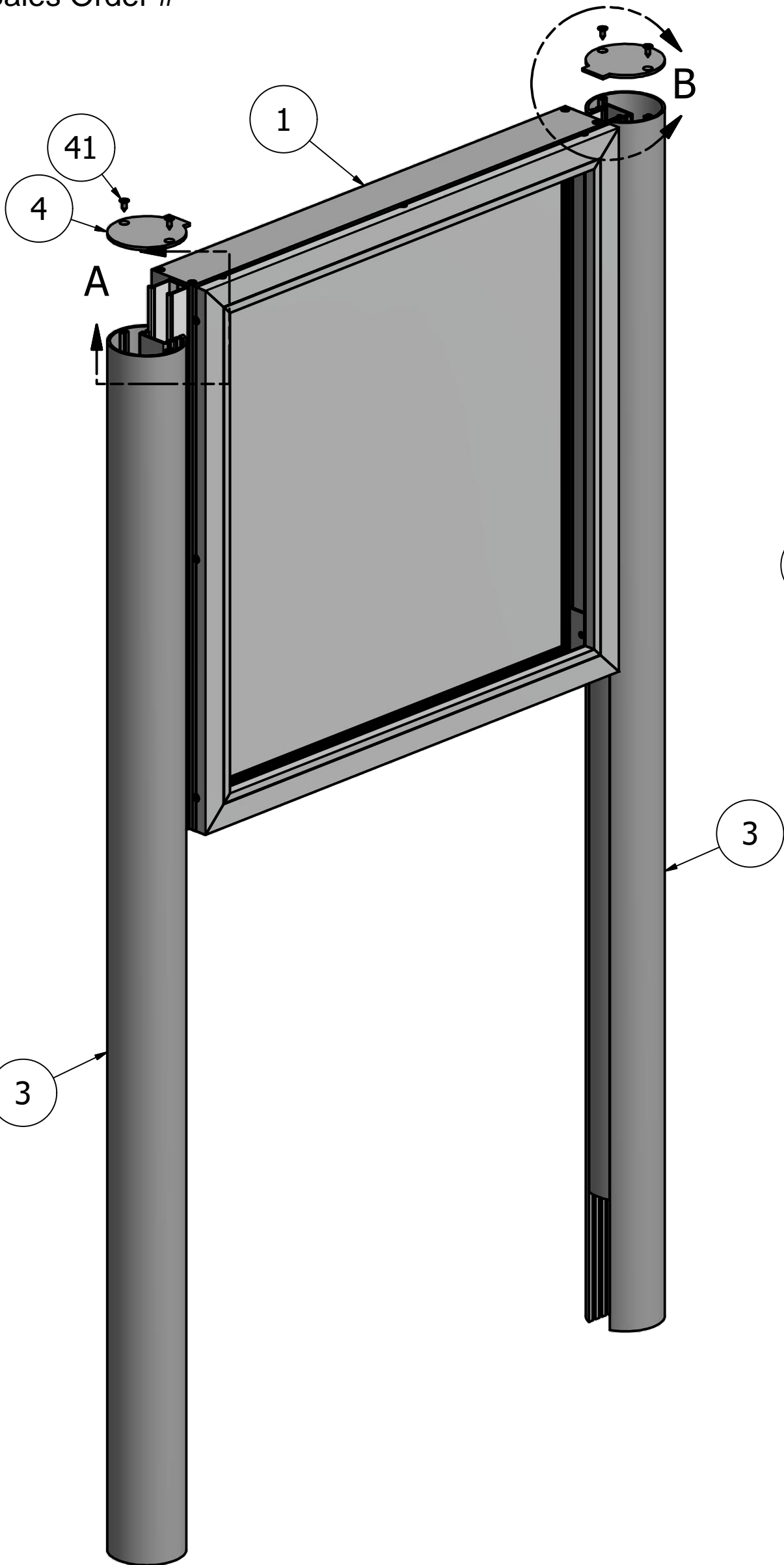
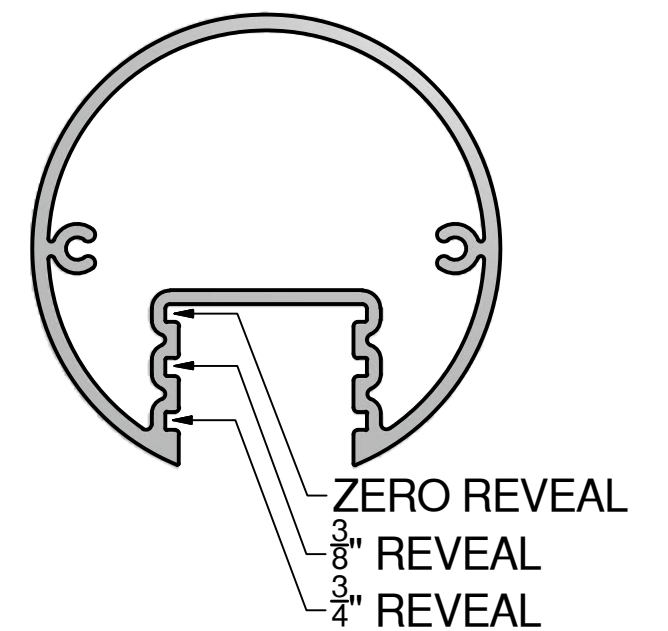


| PARTS LIST | | | |
|------------|----------|--|---|
| ITEM | PART # | DESCRIPTION | NOTES |
| 1 | K1291/93 | Series 3 Single Face Access Body/Frameless Cover | Assembly |
| 2 | 1200 | Series 2/3 Reveal | Attaches to Body |
| 3 | K1237 | Series 3 Round Post | Assembly |
| 4 | Post Cap | Series 3 Round Post Cap | Zero Reveal #5415, 3/8" Reveal #5416, 3/4" Reveal #5417 |
| 41 | 5040 | Cap Screw | #10 countersink |

Ship To:
Sales Order #



REVEAL SETTING OPTIONS



NOTE: PRE-CUT KITS ARE NOT PRE-DRILLED.

(Holes shown in this drawing are for reference only.
Drilling of pilot holes are to be done by fabricator.)

THIS DRAWING WAS CREATED AT NO CHARGE TO ASSIST YOU IN VISUALIZING OUR PROPOSAL. THE DRAWING HEREIN IS THE PROPERTY OF SIGNCOMP. PERMISSION TO COPY OR REVISE THIS DRAWING OR TO USE THIS DRAWING FOR PRODUCTION IS STRICTLY PROHIBITED AND CAN ONLY BE COPIED, REVISED OR USED FOR PRODUCTION WITH THE EXPRESSED WRITTEN PERMISSION OF SIGNCOMP.

| | | |
|-----------------------|-----------------------|----------|
| DRAWING BY: | SBreihof | 5/1/2013 |
| Centroid X: | 0.000 in | |
| Centroid Y: | 0.000 in | |
| Principal Moments Ix: | 0.000 in ⁴ | |
| Principal Moments Iy: | 0.000 in ⁴ | |
| Section Modulus Ix: | 0.000 in ³ | |
| Section Modulus Iy: | 0.000 in ³ | |

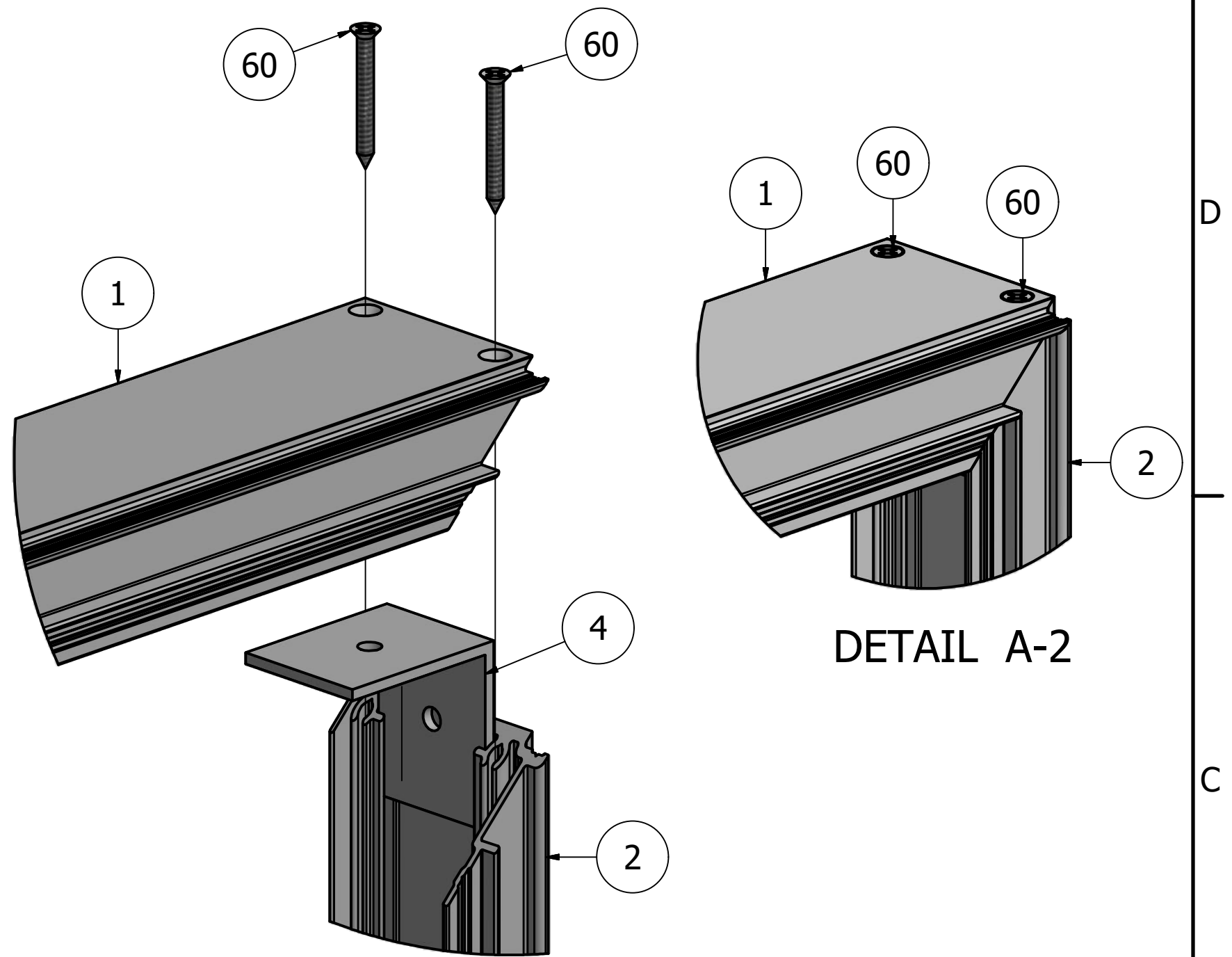
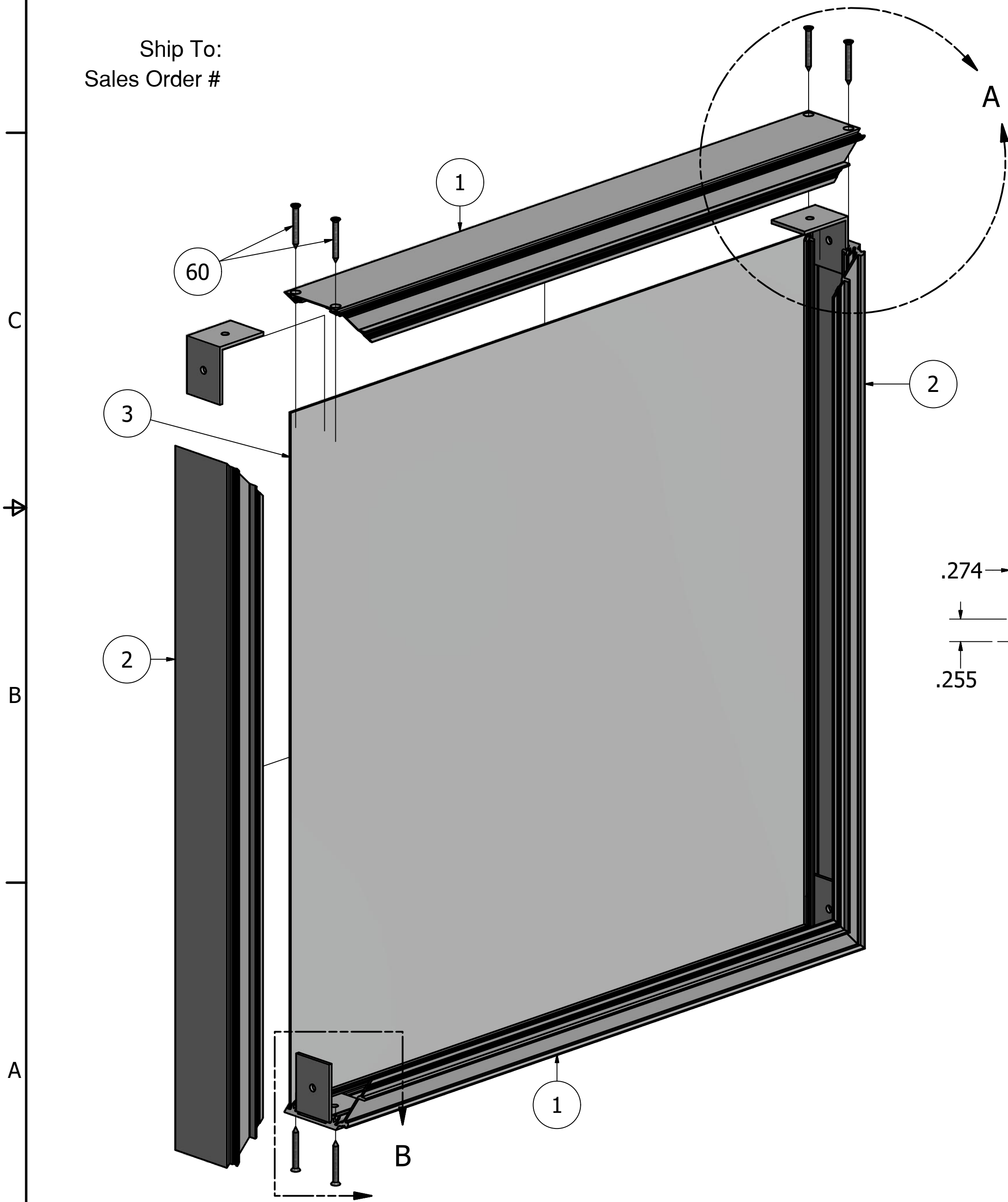
SignComp

TITLE
Series 3 Single Face Access Body - Frameless Cover - Series 3 Round Post - Assembly

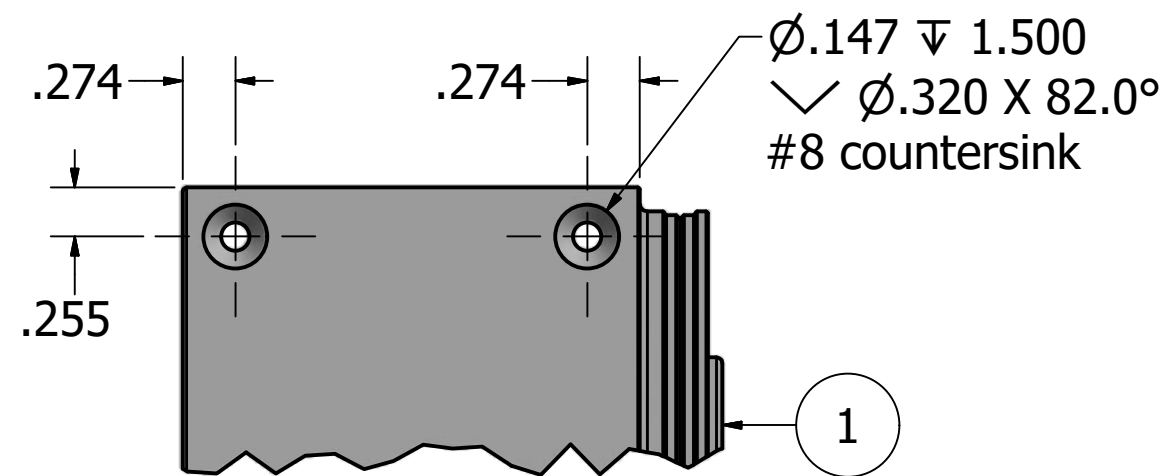
PART NO
1291/93/37

| PARTS LIST | | | |
|------------|------------|---|-------------------------|
| ITEM | PART# | DESCRIPTION | NOTES |
| 1 | 1291 | Series 3 Single Face Access Body | Top & Bottom |
| 2 | 1291 | Series 3 Single Face Access Body | Sides |
| 3 | Back Panel | .063 Aluminum Back Panel | By Other |
| 4 | 5338 | Series 3 Single Face Access Body Corner Angle | One (1) per body corner |
| 60 | 5270 | Access body Corner Screw | See hole detail |

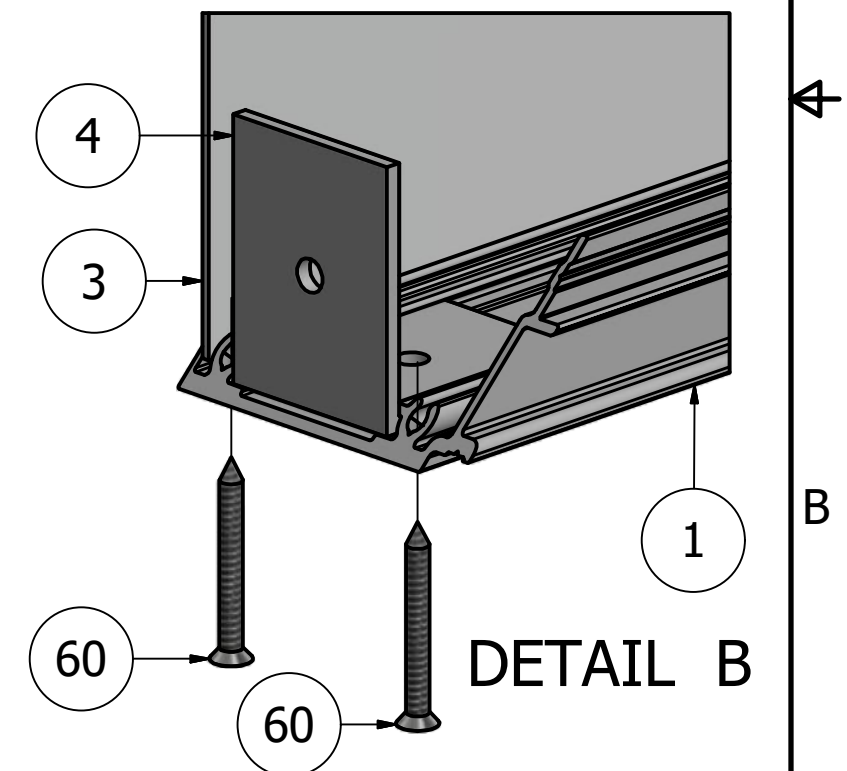
Ship To:
Sales Order #



DETAIL A-1



HOLE DETAIL
DRILLED BY OTHER



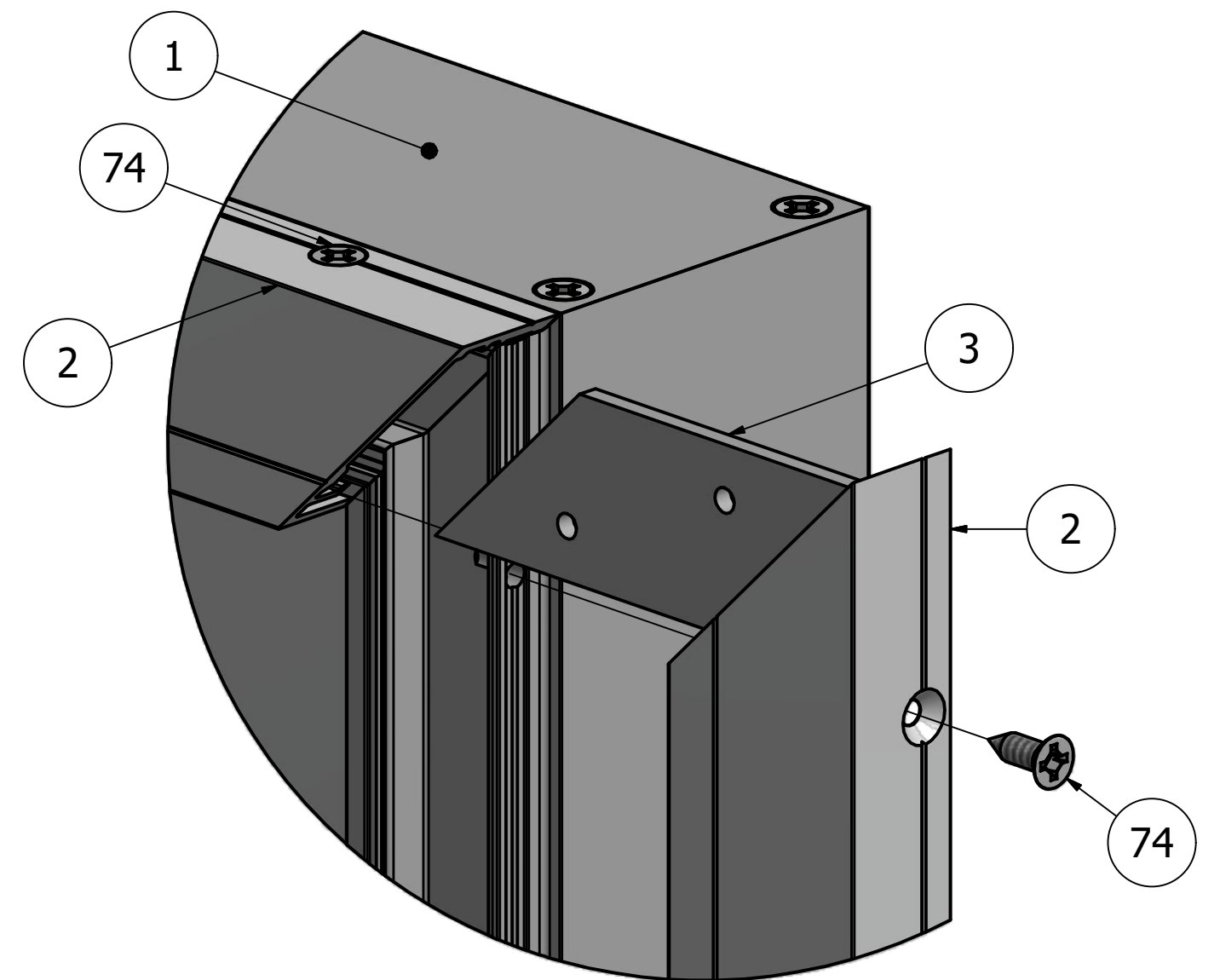
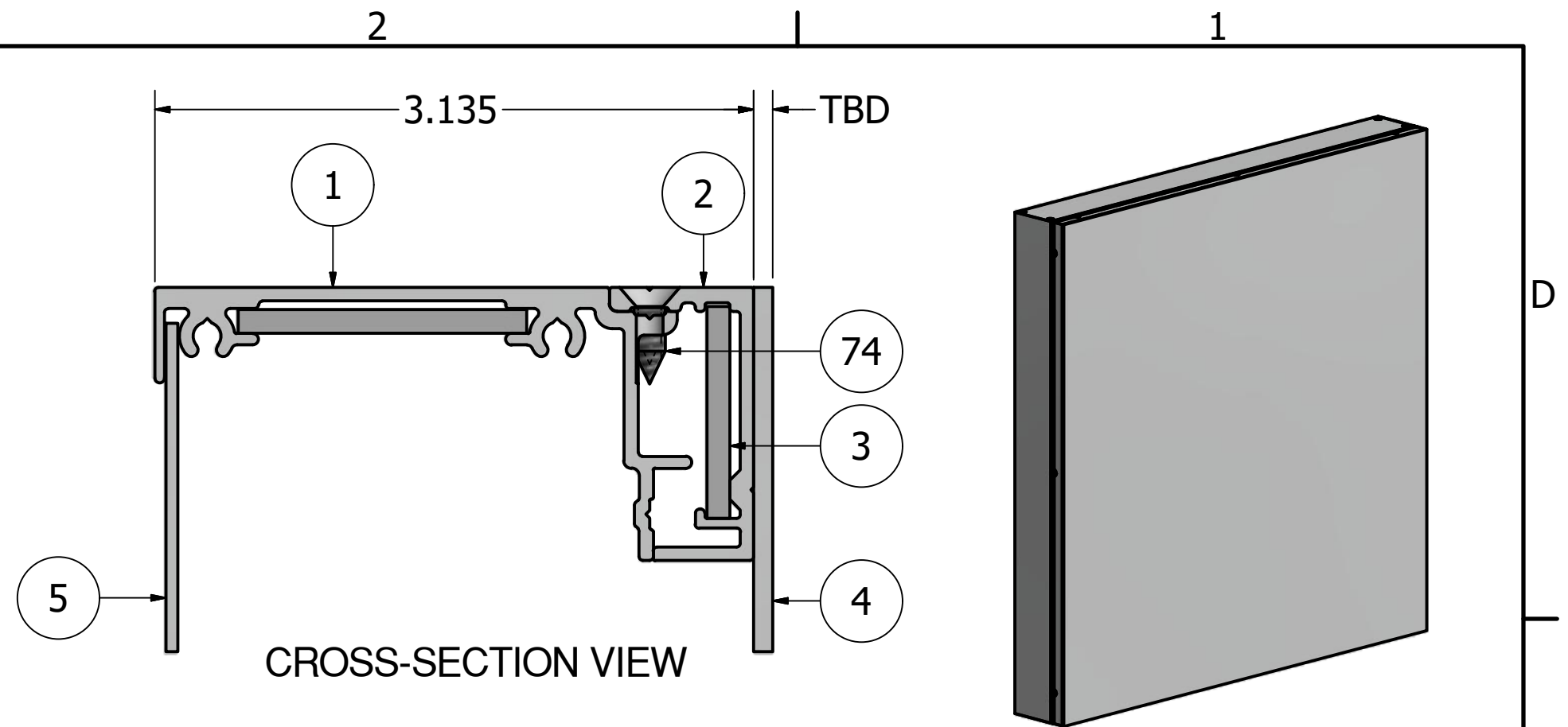
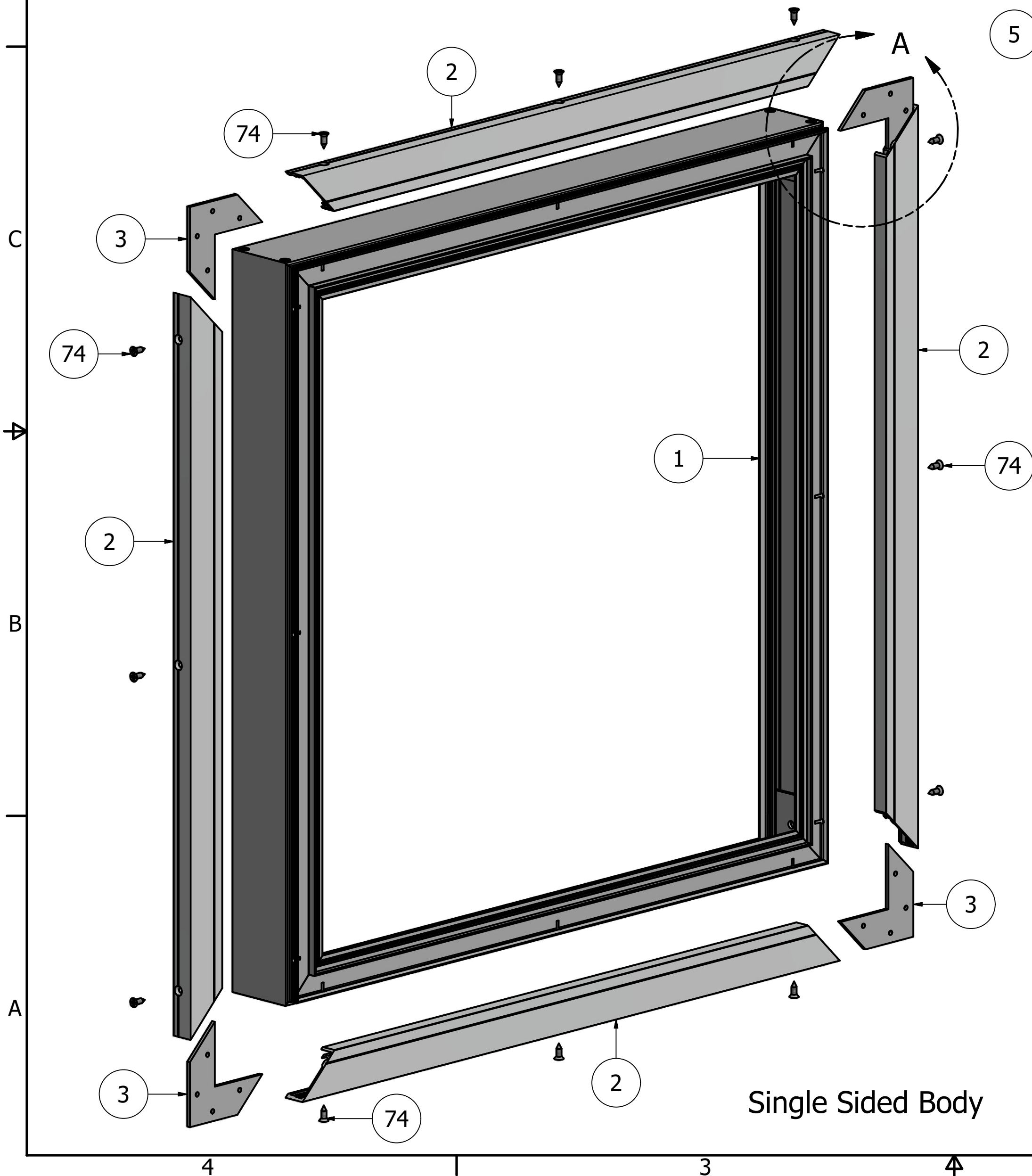
DETAIL B

NOTE: PRE-CUT KITS ARE NOT PRE-DRILLED.
(Holes shown in this drawing are for reference only.
Drilling of pilot holes are to be done by fabricator.)

| | | | | |
|---|-----------------------|-----------------------|-------------------|--------------|
| THIS DRAWING WAS CREATED AT NO CHARGE TO ASSIST YOU IN VISUALIZING OUR PROPOSAL. THE DRAWING HEREIN IS THE PROPERTY OF SIGNCOMP. PERMISSION TO COPY OR REVISE THIS DRAWING OR TO USE THIS DRAWING FOR PRODUCTION IS STRICTLY PROHIBITED AND CAN ONLY BE COPIED, REVISED OR USED FOR PRODUCTION WITH THE EXPRESSED WRITTEN PERMISSION OF SIGNCOMP. | | | <h1>SignComp</h1> | |
| DRAWN | SBreihof | 9/6/2012 | | |
| | Centroid X: | 0.000 in | | |
| | Centroid Y: | 0.000 in | | |
| | Principal Moments Ix: | 0.000 in ⁴ | | |
| | Principal Moments Iy: | 0.000 in ⁴ | | |
| | Section Modulus Ix: | 0.000 in ³ | DWG NO | K1291 |
| | Section Modulus Iy: | 0.000 in ³ | | REV |
| | | | SHEET 1 OF 1 | |

| PARTS LIST | | | |
|------------|--------|----------------------------------|---|
| ITEM | PART # | DESCRIPTION | NOTES |
| 1 | K1291 | Series 3 Single Face Access Body | Assembly |
| 2 | 1693 | Frameless Cover | Attaches to all sides |
| 3 | 5210 | Corner Key | |
| 4 | | Aluminum Face | Routers off flush to the Cover - By Other |
| 74 | 5168 | Frameless Cover Screw | #8 countersink |

Ship To:
Sales Order #

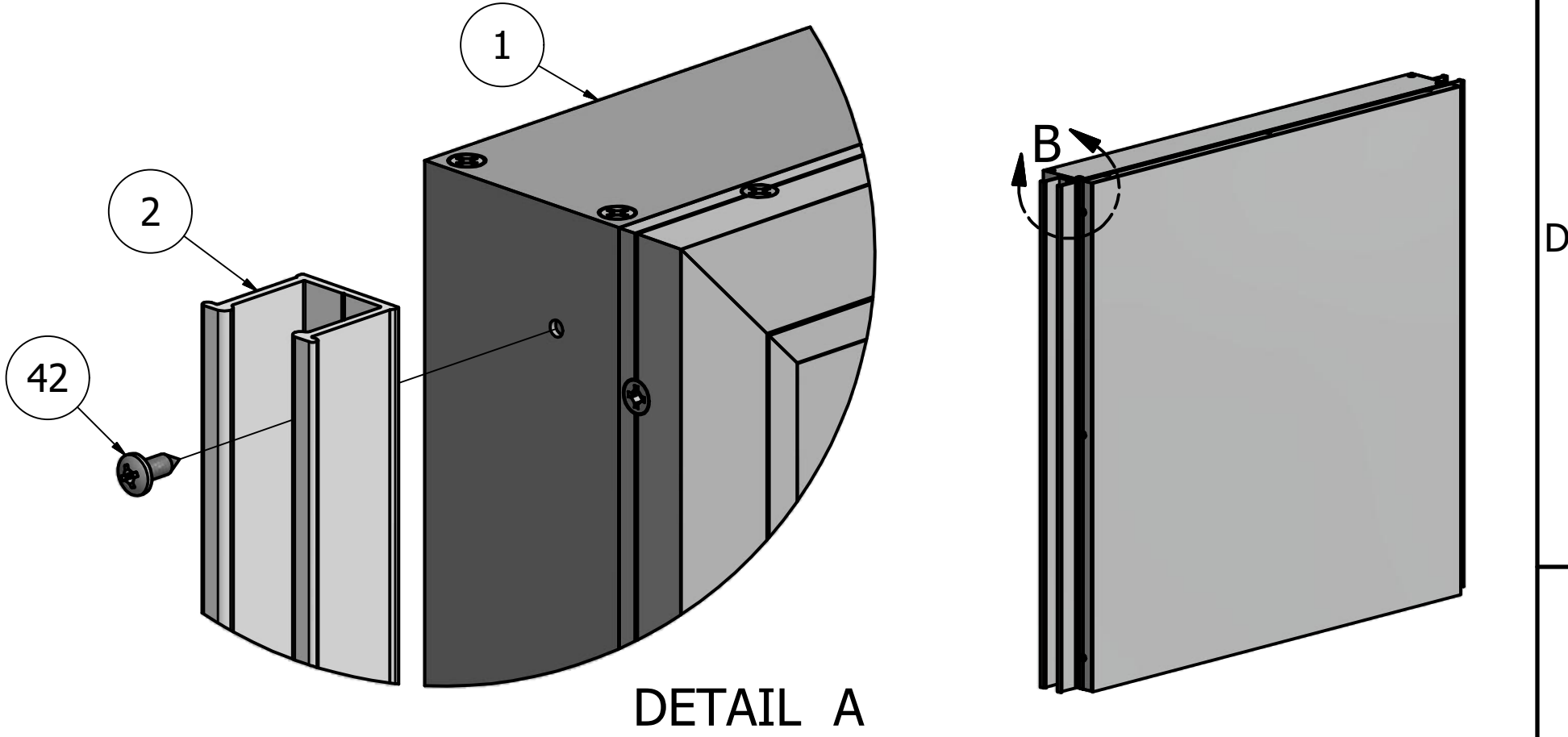
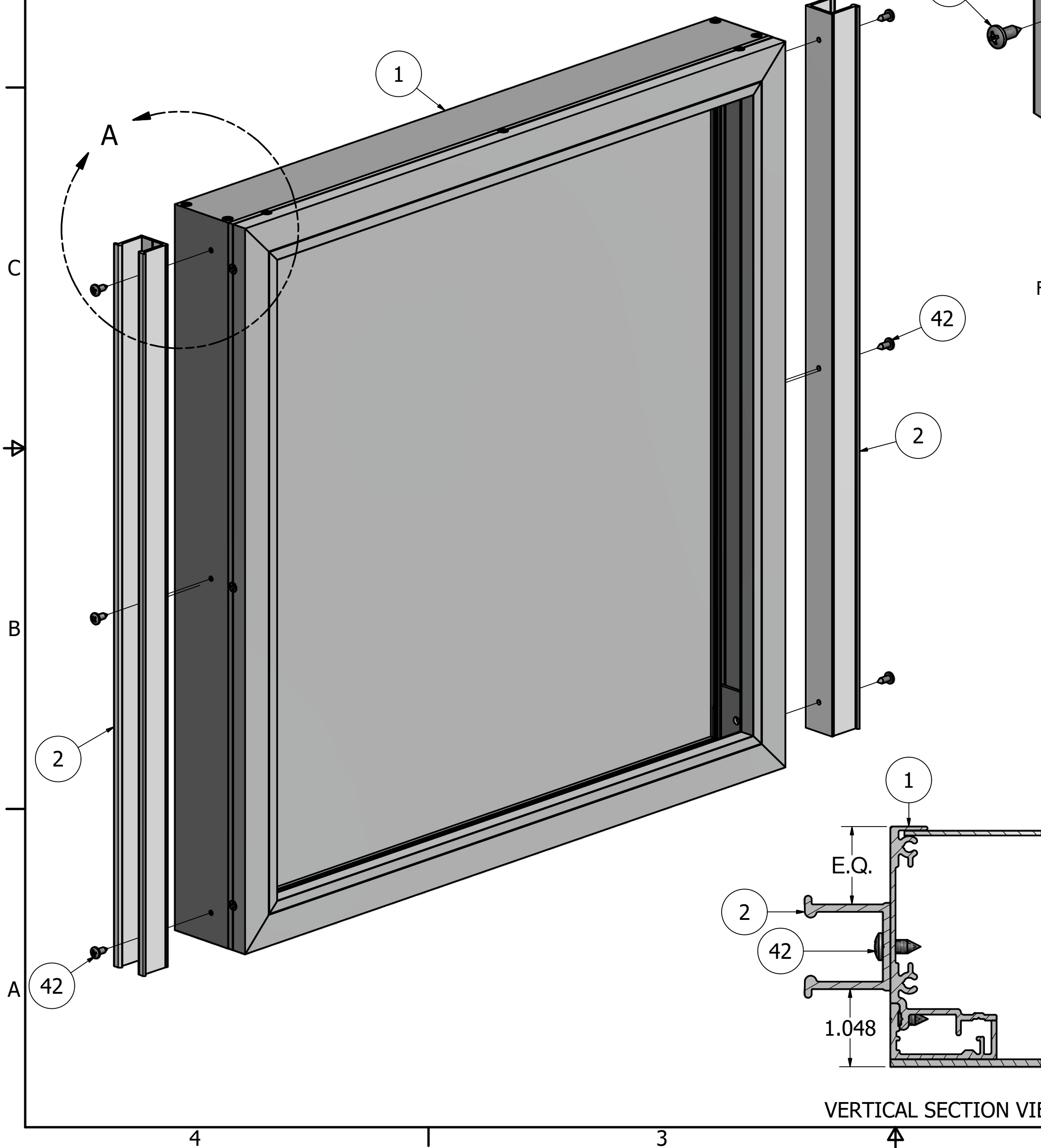


NOTE: PRE-CUT KITS ARE NOT PRE-DRILLED.
(Holes shown in this drawing are for reference only.
Drilling of pilot holes are to be done by fabricator.)

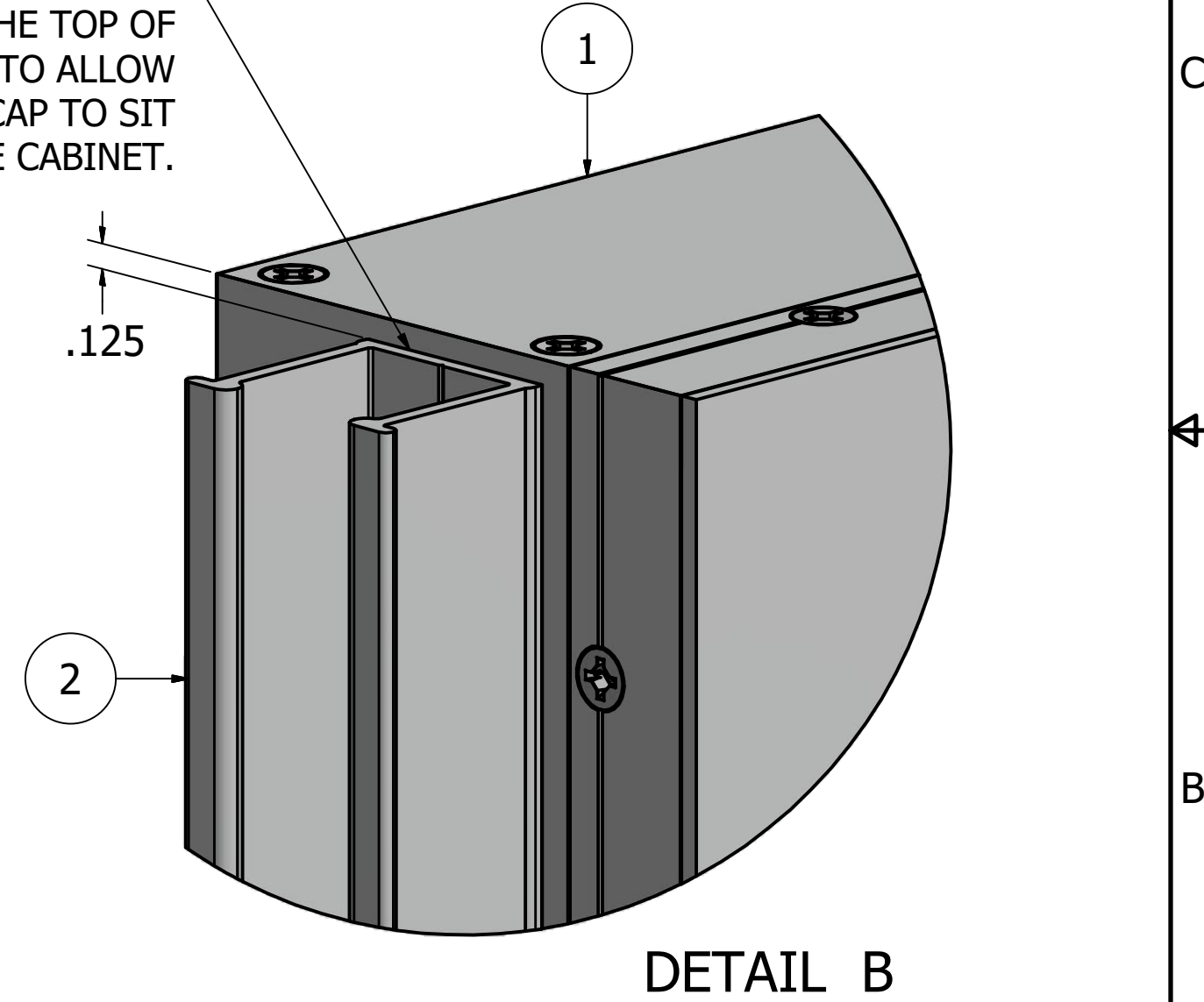
| | | | |
|---|-----------------------|--|--------------|
| THIS DRAWING WAS CREATED AT NO CHARGE TO ASSIST YOU IN VISUALIZING OUR PROPOSAL. THE DRAWING HEREIN IS THE PROPERTY OF SIGNCOMP. PERMISSION TO COPY OR REVISE THIS DRAWING OR TO USE THIS DRAWING FOR PRODUCTION IS STRICTLY PROHIBITED AND CAN ONLY BE COPIED, REVISED OR USED FOR PRODUCTION WITH THE EXPRESSED WRITTEN PERMISSION OF SIGNCOMP. | | | |
| DRAWING BY: | SBreihof | 5/1/2013 | |
| Centroid X: | 0.000 in | TITLE | |
| Centroid Y: | 0.000 in | | |
| Principal Moments Ix: | 0.000 in ⁴ | Series 3 Single Face Access Body - Frameless Cover | |
| Principal Moments Iy: | 0.000 in ⁴ | | |
| Section Modulus Ix: | 0.000 in ³ | PART NO | REV |
| Section Modulus Iy: | 0.000 in ³ | 1291/93 | |
| | | | SHEET 1 OF 1 |

| PARTS LIST | | | |
|------------|----------|--|------------------------------|
| ITEM | PART # | DESCRIPTION | NOTES |
| 1 | K1291/93 | Series 3 Single Face Access Body/Frameless Cover | Assembly |
| 2 | 1200 | Series 2/3 Reveal | Attaches to the Body |
| 42 | 5218 | Reveal to Body Screw | Drill 5/32" pilot hole 12"oc |

Ship To:
Sales Order #



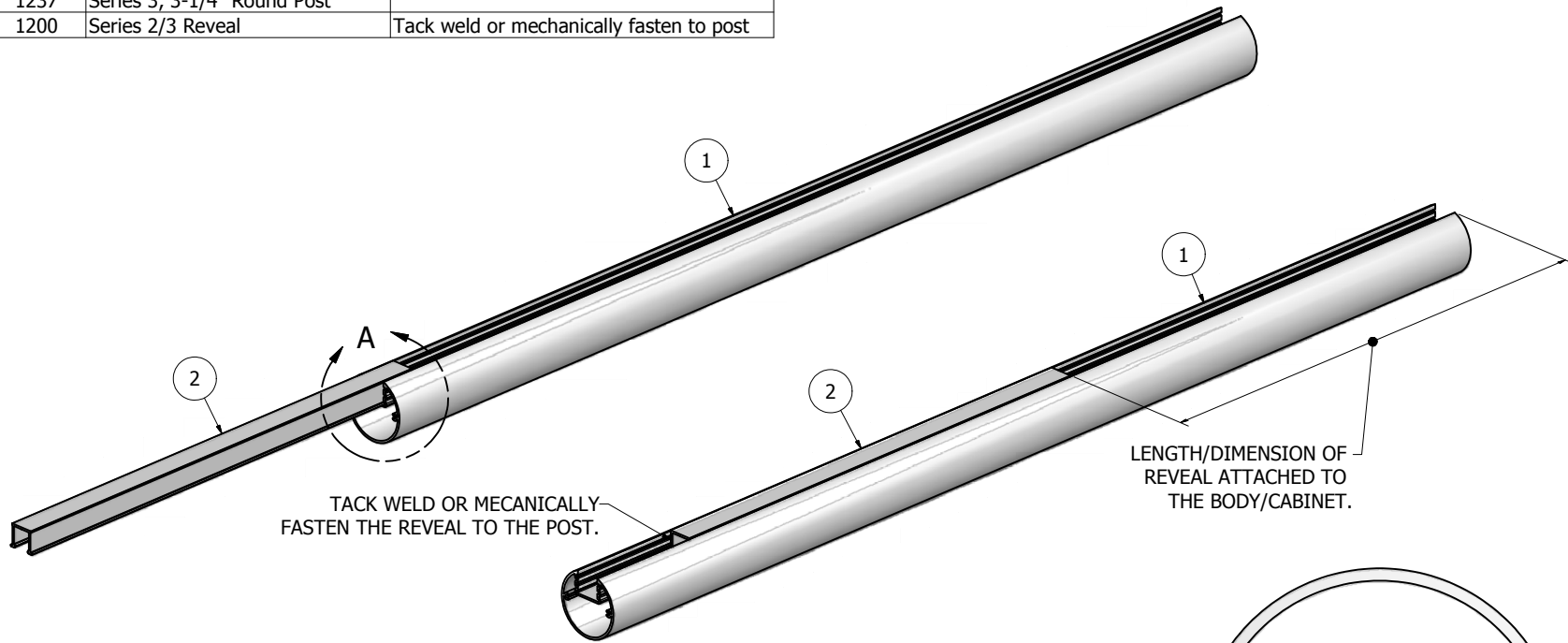
REVEAL IS FASTENED 1/8" DOWN FROM THE TOP OF THE CABINET TO ALLOW FOR THE POST CAP TO SIT FLUSH TO THE CABINET.



NOTE: PRE-CUT KITS ARE NOT PRE-DRILLED.
(Holes shown in this drawing are for reference only. Drilling of pilot holes are to be done by fabricator.)

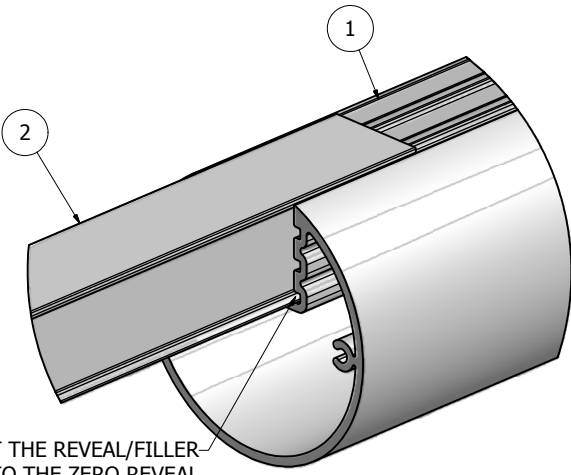
| | | |
|---|-----------------------|--|
| THIS DRAWING WAS CREATED AT NO CHARGE TO ASSIST YOU IN VISUALIZING OUR PROPOSAL. THE DRAWING HEREIN IS THE PROPERTY OF SIGNCOMP. PERMISSION TO COPY OR REVISE THIS DRAWING OR TO USE THIS DRAWING FOR PRODUCTION IS STRICTLY PROHIBITED AND CAN ONLY BE COPIED, REVISED OR USED FOR PRODUCTION WITH THE EXPRESSED WRITTEN PERMISSION OF SIGNCOMP. | | |
| DRAWING BY: | SBreihof | 5/1/2013 |
| Centroid X: | 0.000 in | TITLE |
| Centroid Y: | 0.000 in | |
| Principal Moments Ix: | 0.000 in ⁴ | Series 3 Single Face Access Body - Frameless Cover - Series 2/3 Reveal |
| Principal Moments Iy: | 0.000 in ⁴ | |
| Section Modulus Ix: | 0.000 in ³ | PART NO |
| Section Modulus Iy: | 0.000 in ³ | 1291/93 - Reveal |
| | | REV |
| | | SHEET 1 OF 1 |

| Parts List | | | |
|------------|--------|-----------------------------|--|
| ITEM | PART # | DESCRIPTION | NOTES |
| 1 | 1237 | Series 3, 3-1/4" Round Post | |
| 2 | 1200 | Series 2/3 Reveal | Tack weld or mechanically fasten to post |



TACK WELD OR MECHANICALLY FASTEN THE REVEAL TO THE POST.

LENGTH/DIMENSION OF REVEAL ATTACHED TO THE BODY/CABINET.

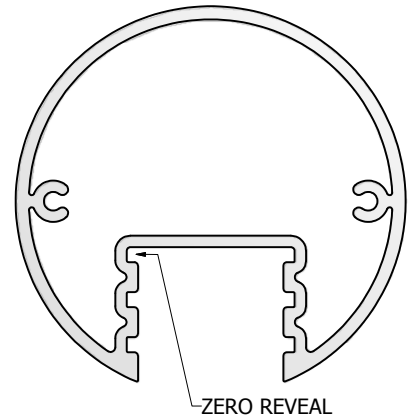


INSERT THE REVEAL/FILLER INTO THE ZERO REVEAL POSITION. SLIDED IT UP INTO THE POST.

DETAIL A

Ship To:

Order Number:



NOTE: PRE-CUT KITS ARE NOT PRE-DRILLED.
 (Holes shown in this drawing are for reference only. Drilling of pilot holes are to be done by fabricator.)

THIS DRAWING WAS CREATED AT NO CHARGE TO ASSIST YOU IN VISUALIZING OUR PROPOSAL. THE DRAWING HEREIN IS THE PROPERTY OF SIGNCOMP. PERMISSION TO COPY OR REVISE THIS DRAWING OR TO USE THIS DRAWING FOR PRODUCTION IS STRICTLY PROHIBITED AND CAN ONLY BE COPIED, REVISED OR USED FOR PRODUCTION WITH THE EXPRESSED WRITTEN PERMISSION OF SIGNCOMP.

| | | | | |
|----------|-------|----------|---|--------------|
| DRAWN | Steve | 4/5/2010 | SignComp | |
| CHECKED | | | | |
| QA | | | TITLE | |
| MFG | | | Series 3, 3-1/4" Round Post - Serires 2/3 Reveal - Assembly | |
| APPROVED | | | SIZE | DWG NO |
| | | | C | 1237-00 |
| | | | SCALE | SHEET 1 OF 1 |